

SETTANTA

 **AURINI**



 LAURINI

LAURINI

LAURINI  
ESTREMA





NEW CONFIGURATION  
to optimize performance

COMPACT MACHINE BODY  
for standard transport

BEST WEIGHT/PERFORMANCE RATIO  
demolition carrier in the market



SETTANTA

70

# MACHINE BODY

PERFORMANCE COMPARABLE TO A CONVERTED 45 TON EXCAVATOR

## MACHINE BODY

- Compact with dimensions for standard transport
- Weight: 35 tons (77,160 lb)
- Weight balance optimized for demolition and digging works
- Rear base arm pivot
- Counterweight – integrated in the frame

## CABIN

- High visibility with FOPS certification, 30° tilting
- Display for machine parameters, anti-tipping system and cameras
- Heating and air conditioning
- Electronic controls
- Possibility to select different working modes and configure five different tools



SETTANTA

70

## UNDERCARRIAGE

- Hydraulic widening gauge system with controls in cabin (2.5 m – 3.7 m / 8.2 ft – 12.1 ft)
- Track length 5 m (16.40 ft)
- Chain pitch 203.2 mm (8 in)
- Shoes 550 mm (22 in)
- Heavy duty fifth wheel

## ENGINE

- Scania DC09 - 350 HP / 257 KW

## HYDRAULIC SYSTEM

- Danfoss
- Load sensing line - dedicated exclusively to the tool, 350 l/m – 350 BAR (85 gal/min – 5075 psi) with booster up to 380 BAR (5510 psi)
- Possibility to select different working modes and configure five different tools

## RADIATOR

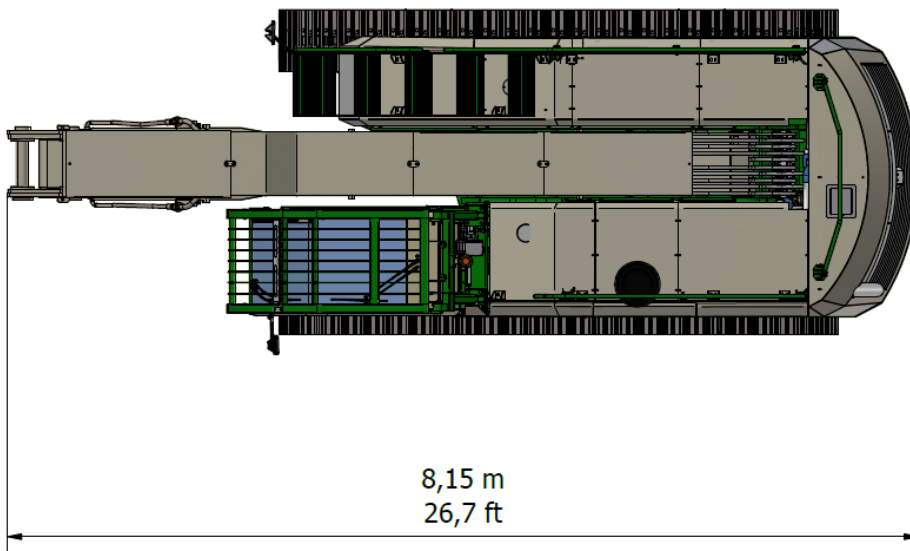
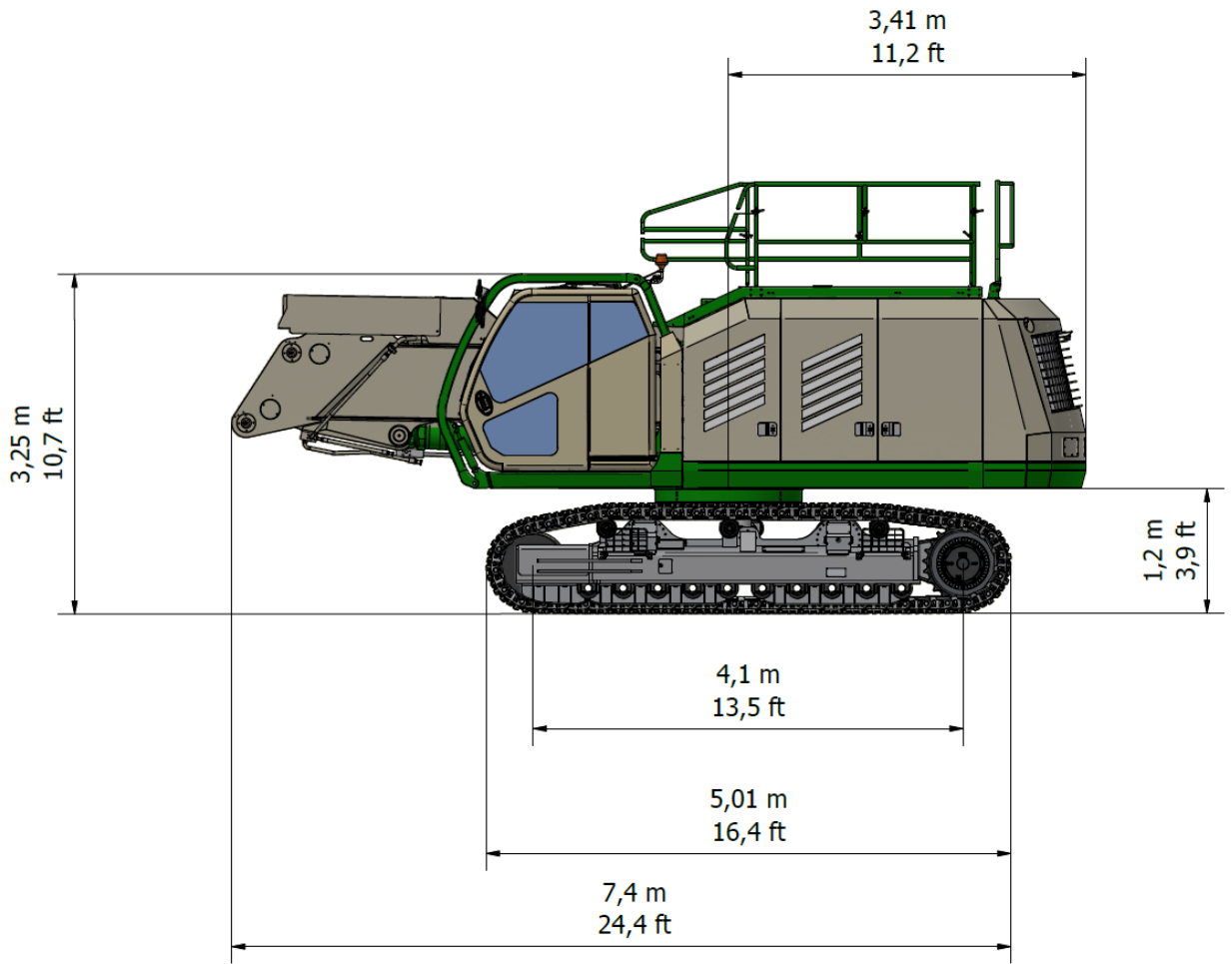
- Combined with Fandrive and Auto-reverse and optimized for heavy duty use



SETTANTA

70

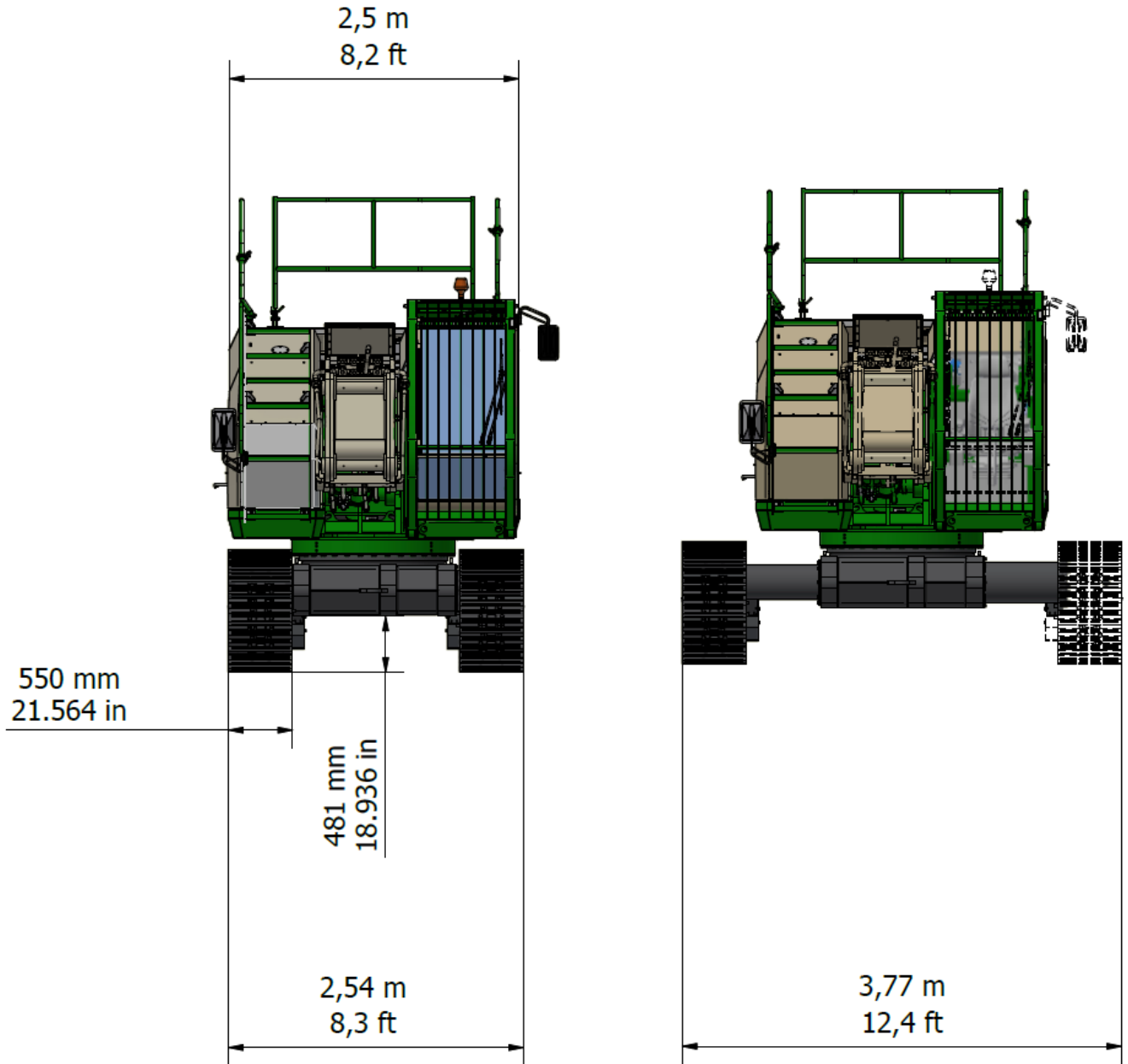
# DIMENSIONS



SETTANTA

70

# DIMENSIONS



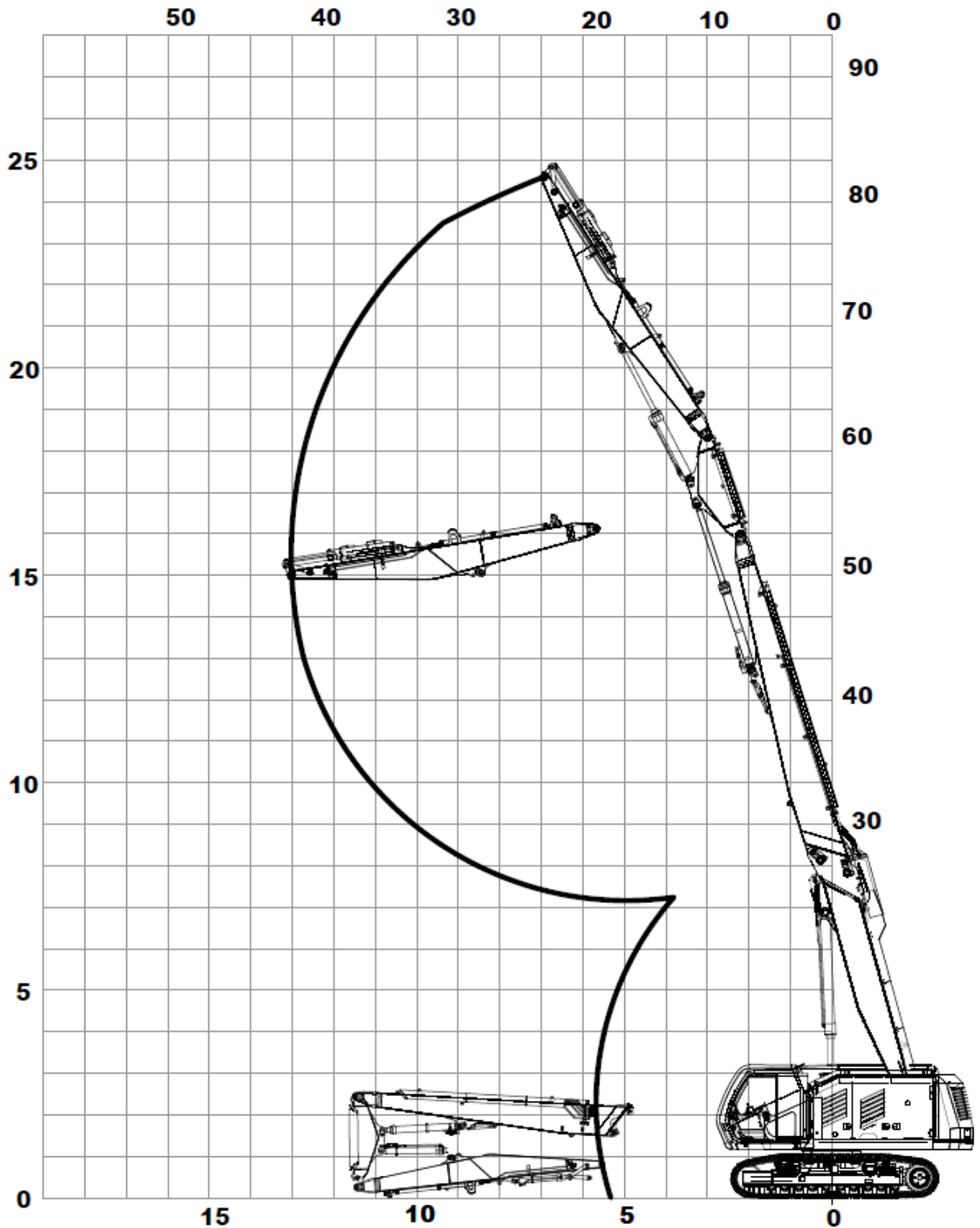
SETTANTA

70

# DEMOLITION ARM

24.5 mt (81 ft) height to the pin

2 tons (4,410 lb) tool



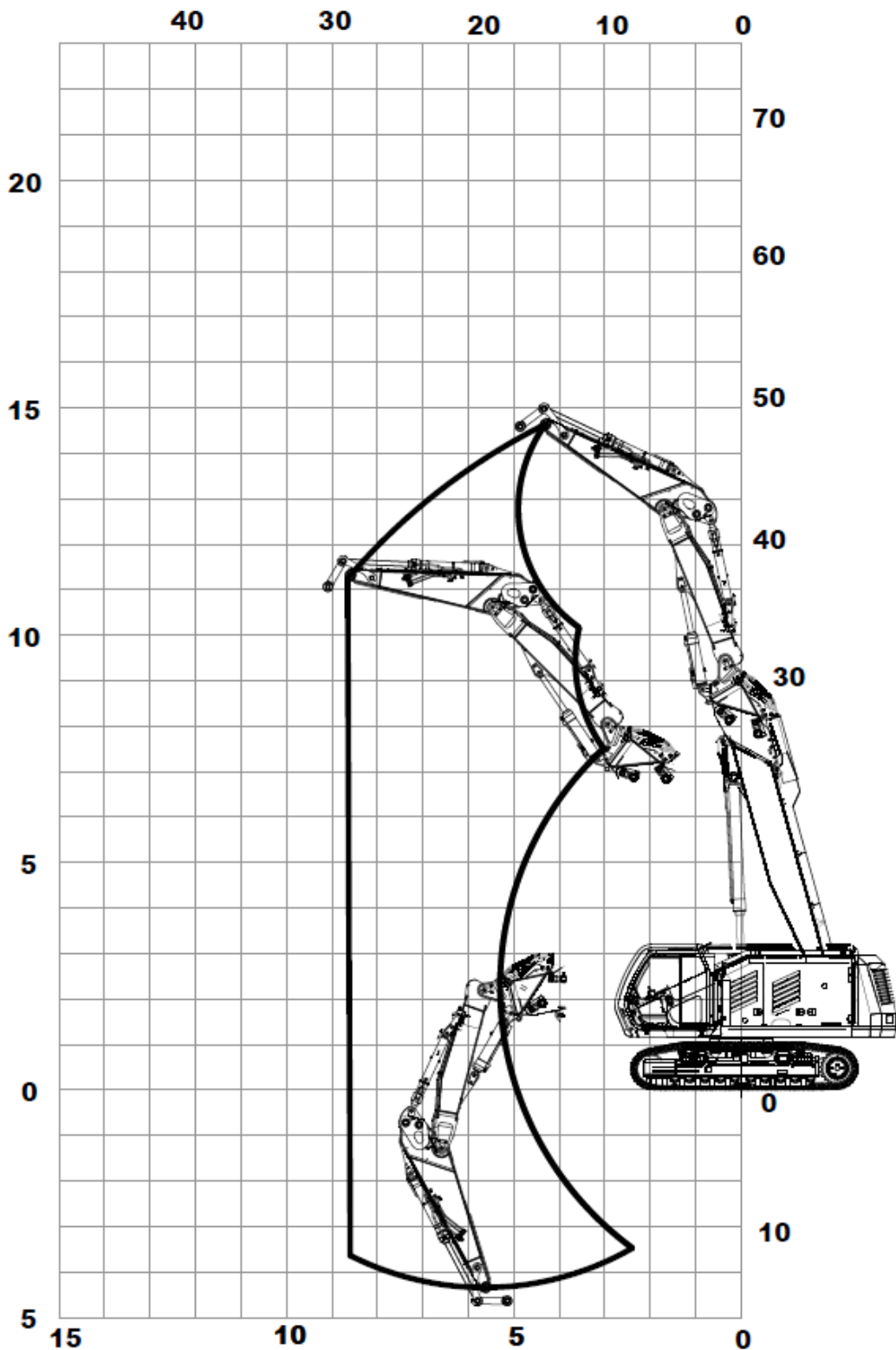
SETTANTA

70

# DIGGING ARM

14.5 mt (48 ft) height to the pin

4 tons (8,820 lb) tool



SETTANTA

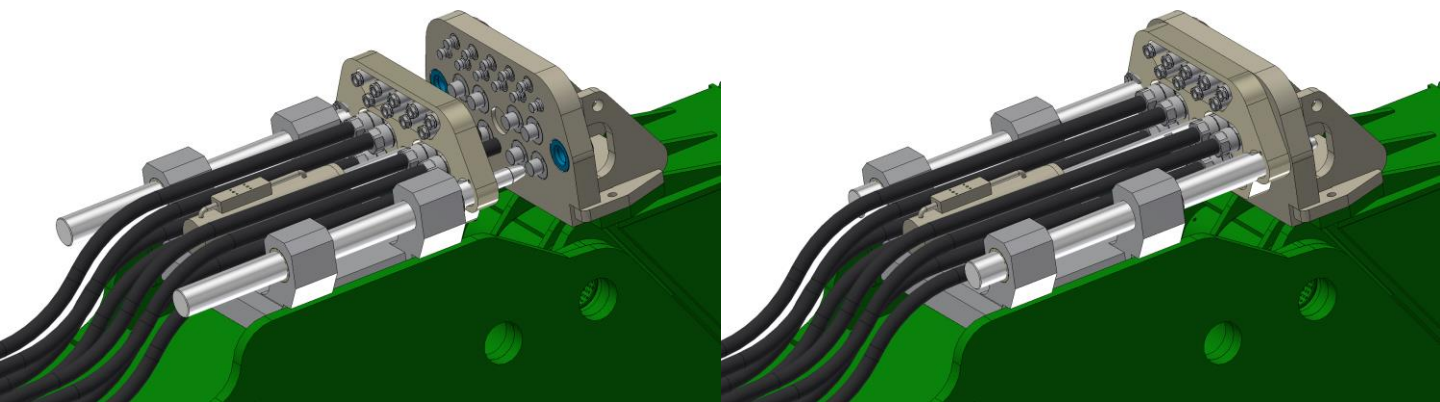
70

# TRANSPORT



## SELF-ASSEMBLY MACHINE

DOES NOT REQUIRE LIFTING EQUIPMENT OR MACHINES  
FOR LOADING/UNLOADING AND ARMS ASSEMBLY



New Laurini hydraulic hoses and wiring quick coupling system (HQCS), controlled from the cabin



SETTANTA







SETTANTA



**Laurini Officine Meccaniche Srl**

Località Spigarolo, 43011 Busseto (PR), Italy

Phone: +39 0524.91844 Fax: +39 0524.91428

[www.laurini.com](http://www.laurini.com)

E-mail: [laurini@laurini.com](mailto:laurini@laurini.com)

VAT IT 02164990349